

KL Series Metal-cased Heavy Duty Precision Snap-acting Switches

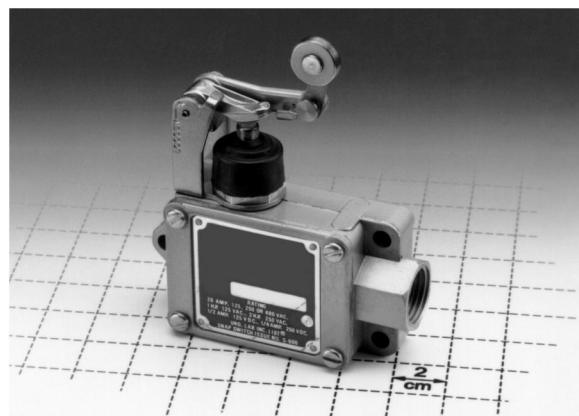


Features/Benefits

- Heavy duty 20 AMP switch
- Sturdy die-cast aluminum housing
- Adjustable lever actuators
- O-ring seal protects switch from contamination

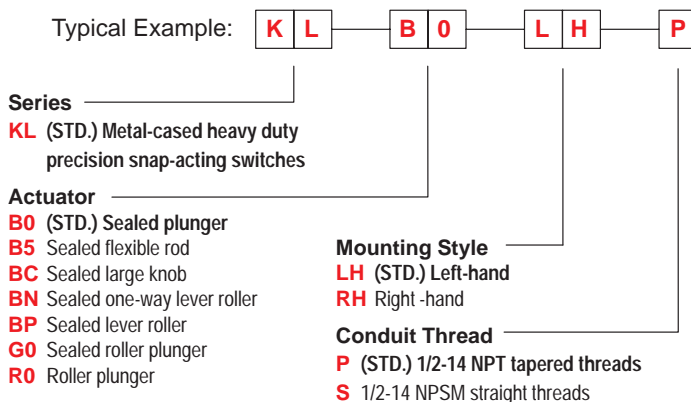
Typical Applications

- Industrial machinery
- Agriculture equipment



Build-A-Switch

Our easy Build-A-Switch concept allows you to mix and match options to create the switch you need. Below is a complete listing of options shown in catalog. To order, simply select desired option from each category and place in the appropriate box. A switch with standard options is shown on page G-58. Available options are shown and described on pages G-58 thru G-61. For additional options not shown in catalog, consult Customer Service Center. Kits that include basic switches are available for all switches in this series; see replacement kit part number noted in actuator section.



Specifications

SWITCH RATING: 20 AMPS @ 125, 250 & 480 V AC; 0.5 AMP @ 125 V DC; 0.25 AMP @ 250 V DC. 1 HP @ 125 V AC. 2 HP @ 250 V AC. (Can be furnished with other ratings, consult Customer Service Center.)

ELECTRICAL LIFE: 150,000 cycles at 20 AMPS @ 250 V AC. consult Customer Service Center for typical life at other ratings.

INSULATION RESISTANCE: 1,000 megohms min.

DIELECTRIC STRENGTH: 1,500 V RMS min. @ sea level.

OPERATING TEMPERATURE: -25° F to 185° F (-32° C to 85° C).

Materials

HOUSING: Cast aluminum.

BOOT: Nitrile (Buna N).

HOUSING INSULATOR: Varnished glass cloth.

BASIC SWITCH: HL Series.

TERMINALS: Screw type.

NOTE: Specifications and materials listed above are for switches with standard options. For information on specific and custom switches, consult Customer Service Center.



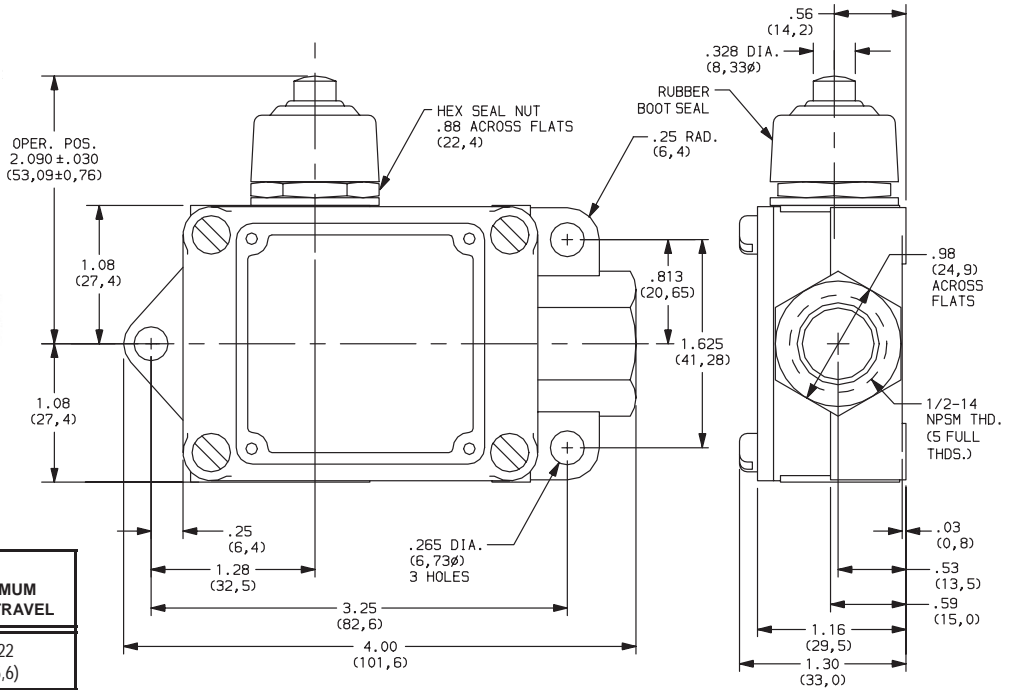
KL Series Metal-cased Heavy Duty Precision Snap-acting Switches

SWITCH WITH STANDARD OPTIONS



KLB0LHS

PART NUMBER	MAXIMUM OPERATING FORCE (LBS/KG)	MINIMUM OVERTRAVEL
KLB0LHS	2.5	.22
	1.13	(5,6)

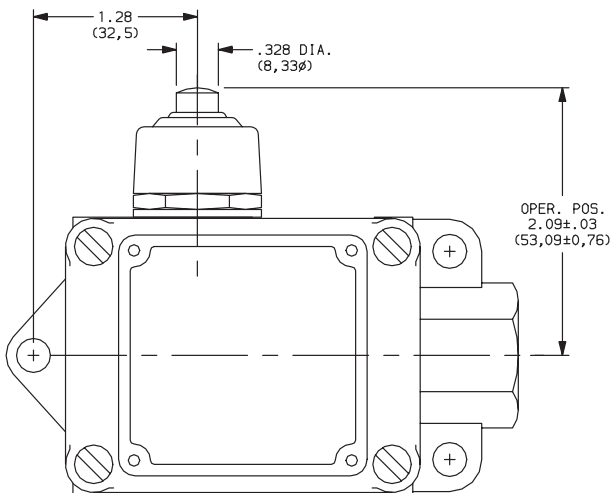


SERIES

KL (STD.) METAL-CASED HEAVY DUTY PRECISION SNAP-ACTING SWITCHES

ACTUATOR

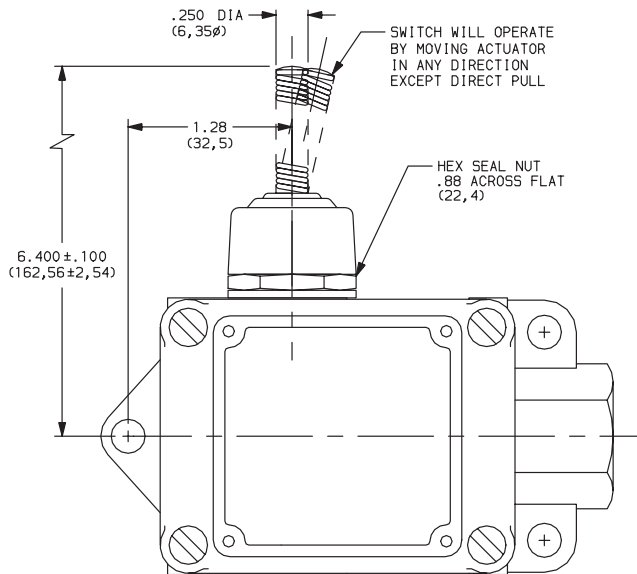
B0 (STD.) SEALED PLUNGER



NOTE: Sealed plunger for long overtravel applications. Switch is protected against dirt and splashed liquids.

Replacement Kit No. RP-7

B5 SEALED FLEXIBLE ROD



OPERATING CHARACTERISTICS

Switch will operate under direct pressure on the end of the rod or by 15° maximum lateral movement. Operating force can be applied to any point on the actuator. Rod will bend 90° in any direction.

NOTE: Semi-rigid rod actuator allows lateral application of operating force from any direction.

Replacement Kit No. RP-7

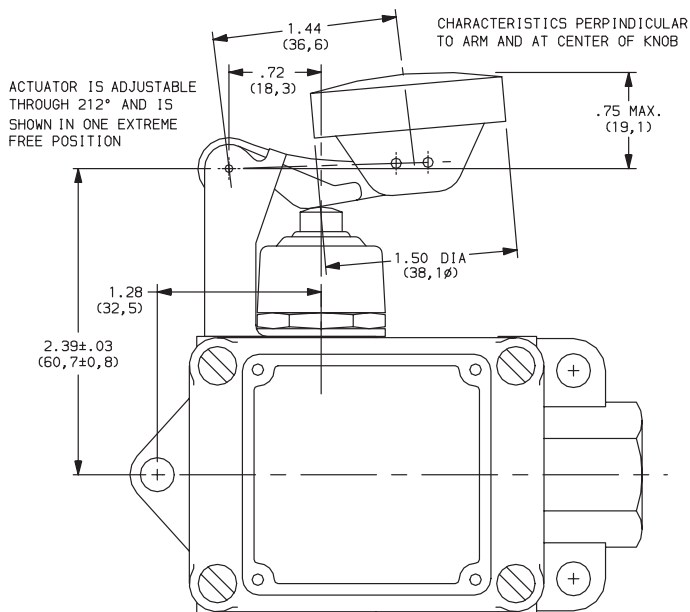
Snap-acting



KL Series Metal-cased Heavy Duty Precision Snap-acting Switches

ACTUATOR

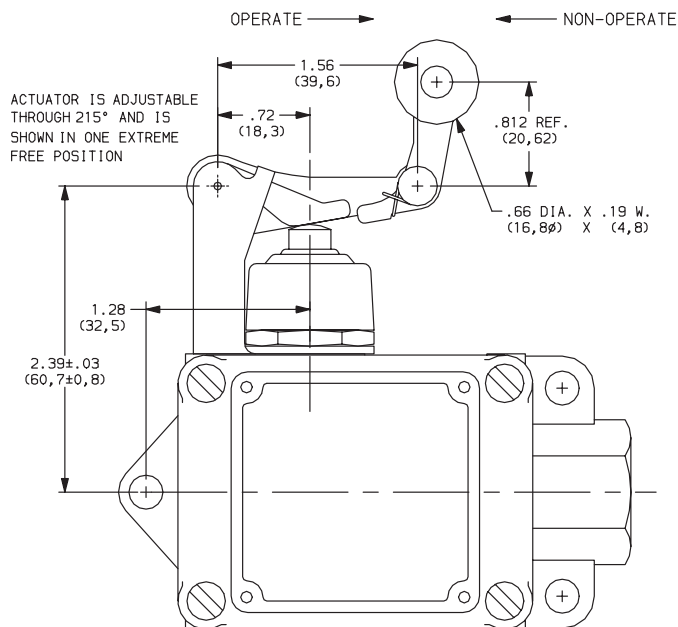
BC SEALED LARGE SMOOTH KNOB



NOTE: Large, smooth knob for hand or knee operation. Lever is adjustable vertically and can be rotated horizontally. Sealed plunger and sturdy die-cast actuator parts for reliability under severe service.

Replacement Kit No. RP-7

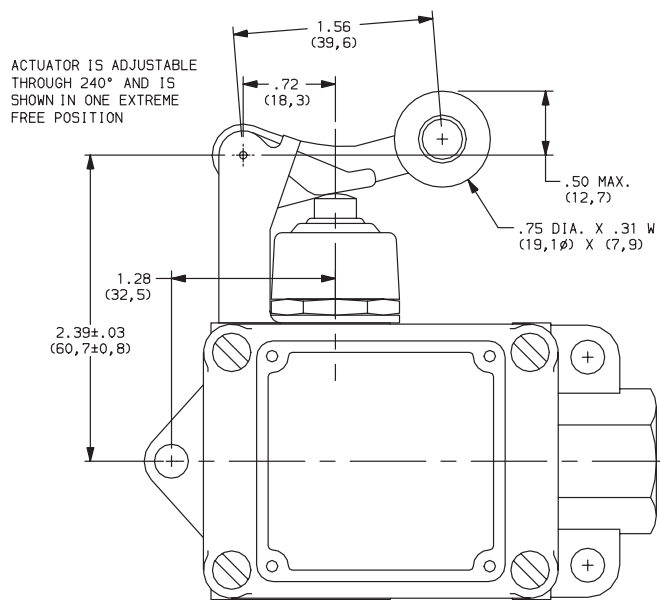
BN SEALED ONE-WAY LEVER ROLLER



NOTE: Spring loaded roller arm permits "non-operate" return stroke of sliding cam. Lever is adjustable vertically and can be rotated horizontally.

Replacement Kit No. RP-7

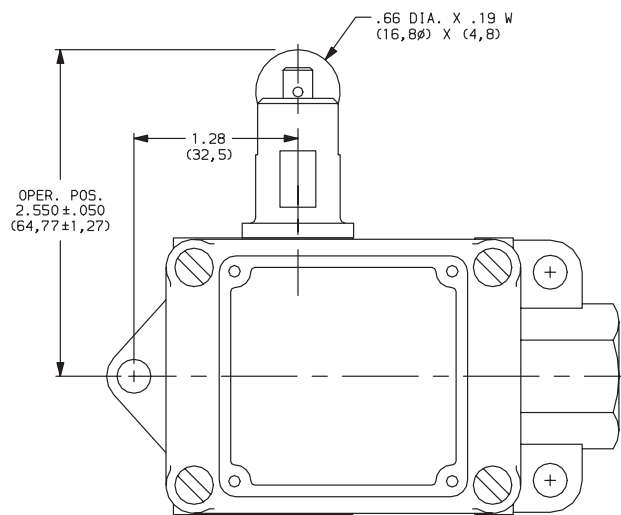
BP SEALED LEVER ROLLER



NOTE: Roller lever actuator with sealed plunger for slide or cam operation adjustable vertically and can be rotated horizontally. Sturdy die-cast actuator parts for reliability under severe service.

Replacement Kit No. RP-7

G0 SEALED ROLLER PLUNGER



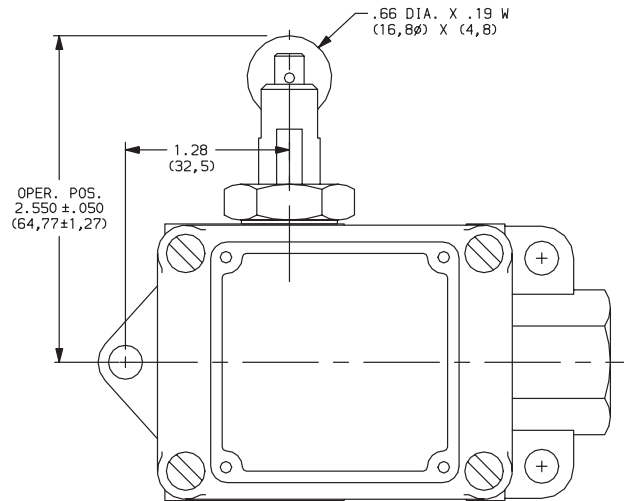
NOTE: Sealed roller plunger for cam or slide actuation where moisture is present.

Replacement Kit No. RP-7

KL Series Metal-cased Heavy Duty Precision Snap-acting Switches

ACTUATOR

RO UNSEALED ROLLER PLUNGER



NOTE: Roller plunger for use with cams or slides that move in same plane as length of switch.

Replacement Kit No. RP-7

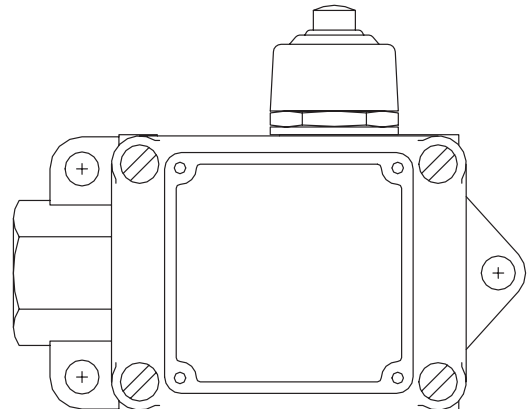
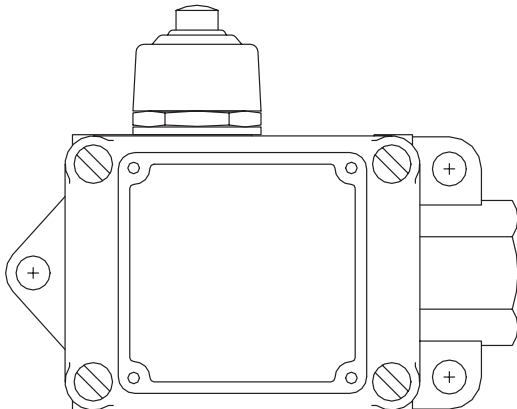
SWITCH CHARACTERISTICS

OPTION CODE	MAXIMUM BASIC SWITCH OPERATING FORCE (LBS/KG)	MAXIMUM OPERATING FORCE (LBS/KG)	MINIMUM RELEASE FORCE (LBS/KG)	MAXIMUM DIFFERENTIAL TRAVEL	MAXIMUM PRETRAVEL	MINIMUM OVERTRAVEL
B0	1.4 0.64	2.5 1.13	.5 0.23	.010 (0,25)	.09 (2,3)	.22 (5,6)
BC	1.4 0.64	2 0.91	.5 0.23	.020 (0,51)	.22 (5,6)	.25 (6,4)
BN	1.4 0.64	2 0.91	.5 0.23	.020 (0,51)	.22 (5,6)	.25 (6,4)
BP	1.4 0.64	2 0.91	.5 0.23	.020 (0,51)	.22 (5,6)	.25 (6,4)
G0	1.4 0.64	8 3.63	2 0.91	.0075 (0,190)	.125 (3,18)	.19 (4,8)
RO	1.4 0.64	2.5 1.13	.75 .34	.010 (0,25)	.09 (2,3)	.16 (4,1)

MOUNTING STYLE

LH (STD.) LEFT-HAND

RH RIGHT-HAND



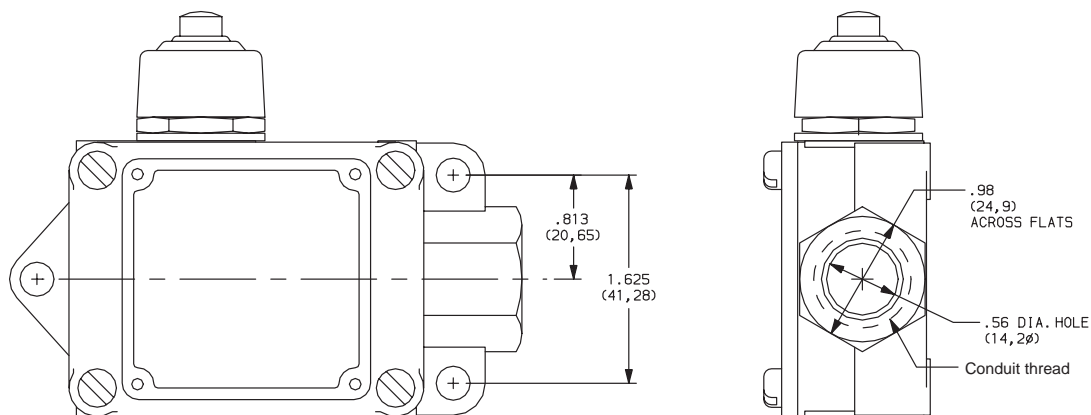
NOTE: Switch mounting is designated right-hand or left-hand according to the location of the actuator on the mounted switch.

KL Series Metal-cased Heavy Duty Precision Snap-acting Switches

CONDUIT THREAD 

P (STD.) 1/2-14 NPT (5 full tapered threads.)

S 1/2-14 NPSM (5 full straight threads.)



NOTE: 'P' CONDUIT THREAD option (1/2-14 NPT) must be specified if CSA certification is required.

Snap-acting

